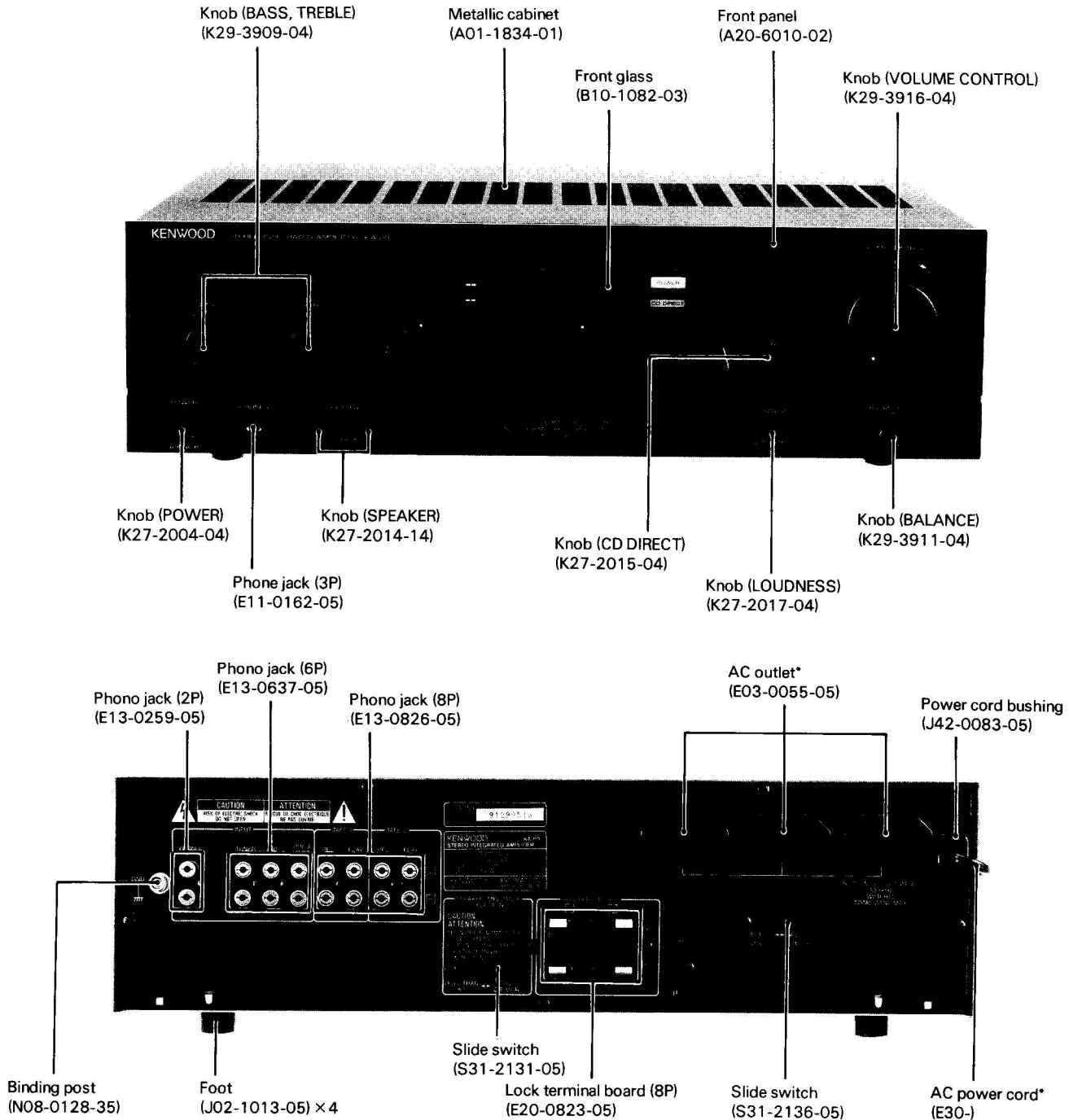


KA-89

SERVICE MANUAL

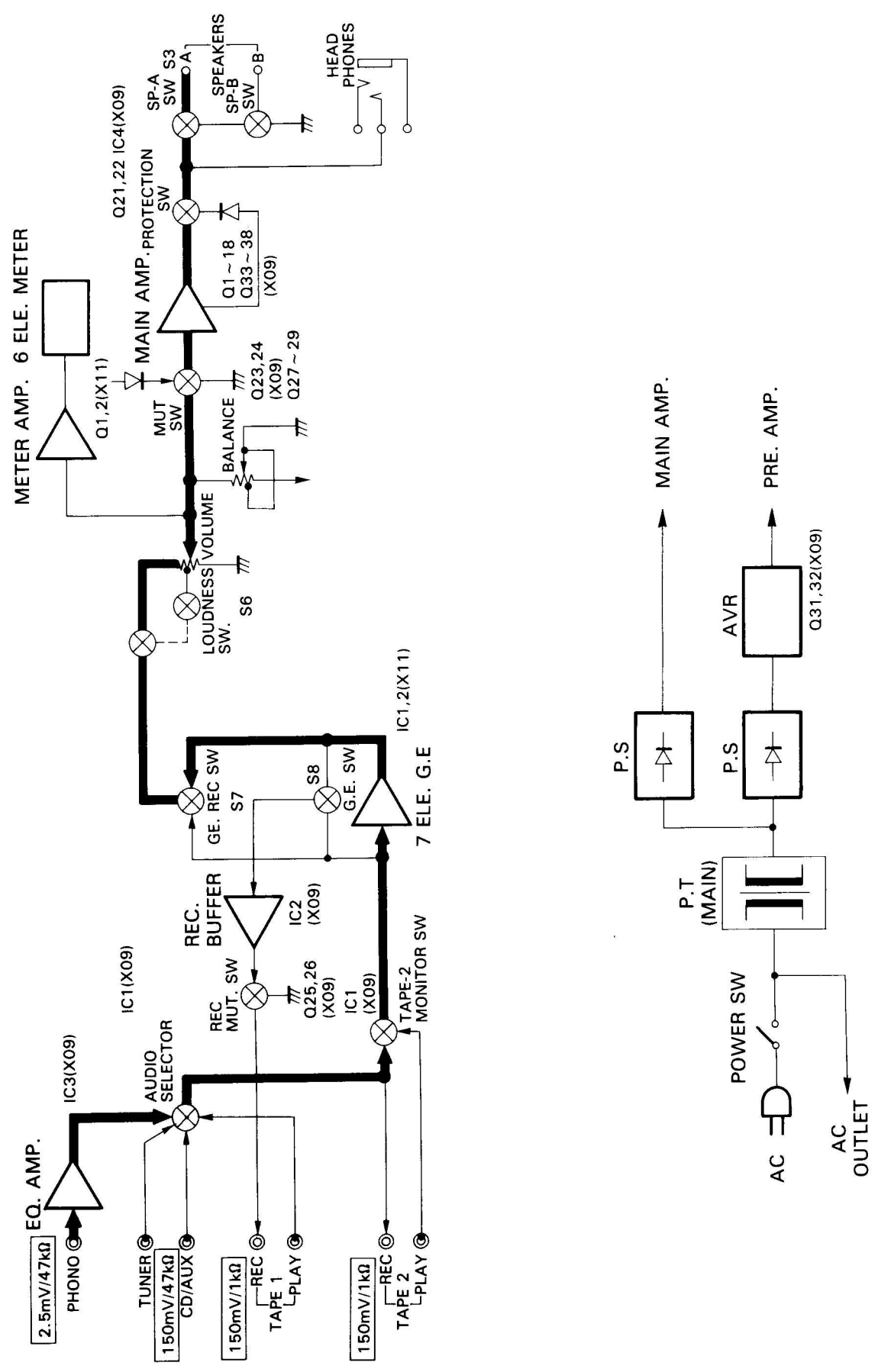
KENWOOD

©1990-1 PRINTED IN JAPAN
B51-4081-00(S)1939



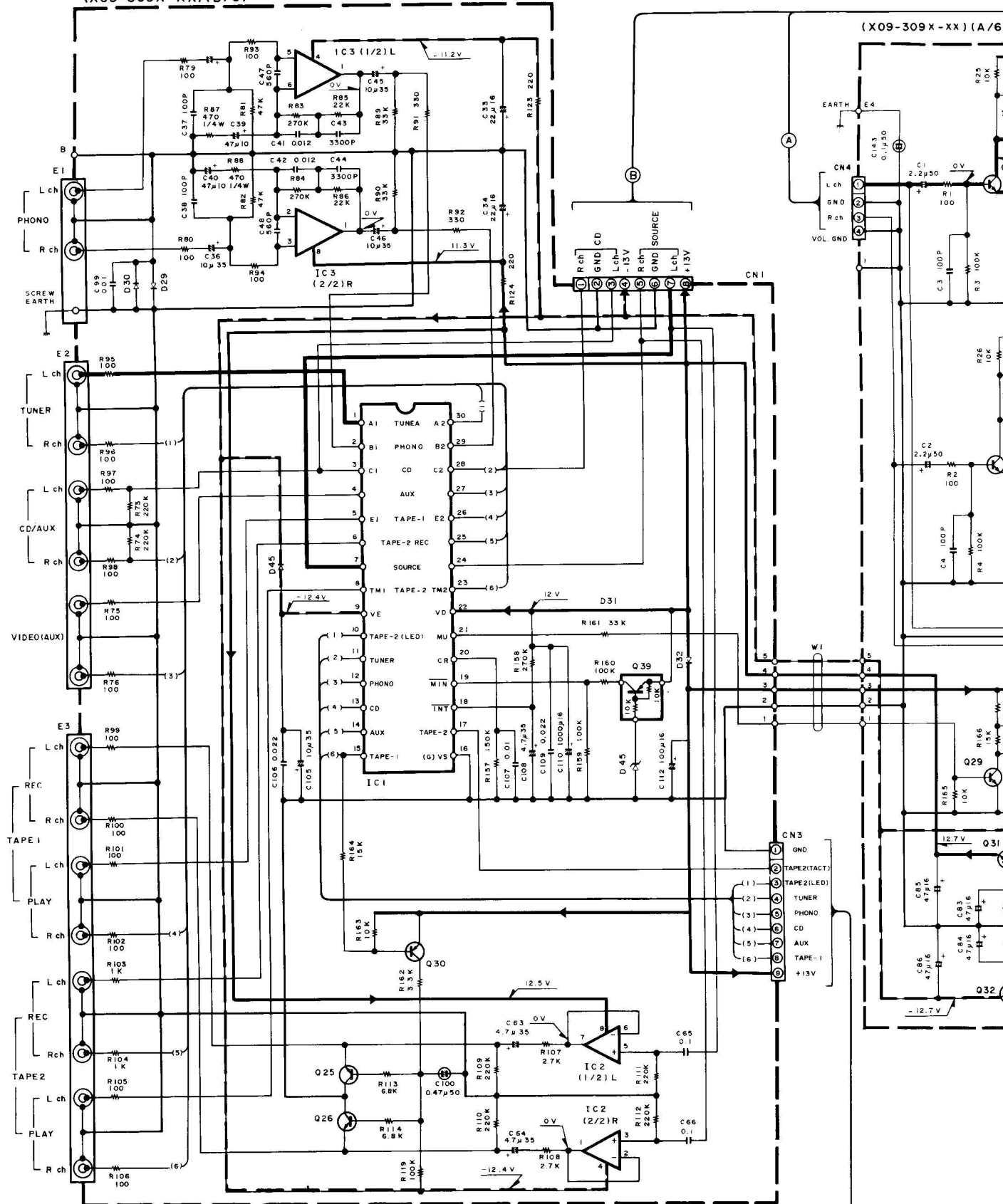
* Refer to parts list on page 16.

BLOCK & LEVEL DIAGRAM

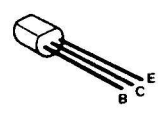


(X09-309X-XX) (B/6)

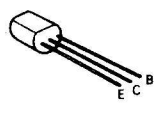
(X09-309X-XX) (A/6)



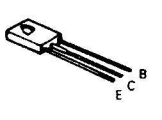
DTA124EN



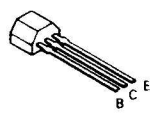
2SA1124
2SA733(A)
2SA954
2SA992
2SC1845
2SC2632
2SC2878
2SC945(A)



2SD882



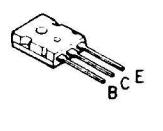
2SA933S
2SC1740S



2SC4137



2SB1162
2SB1163
2SD1717
2SD1718



2

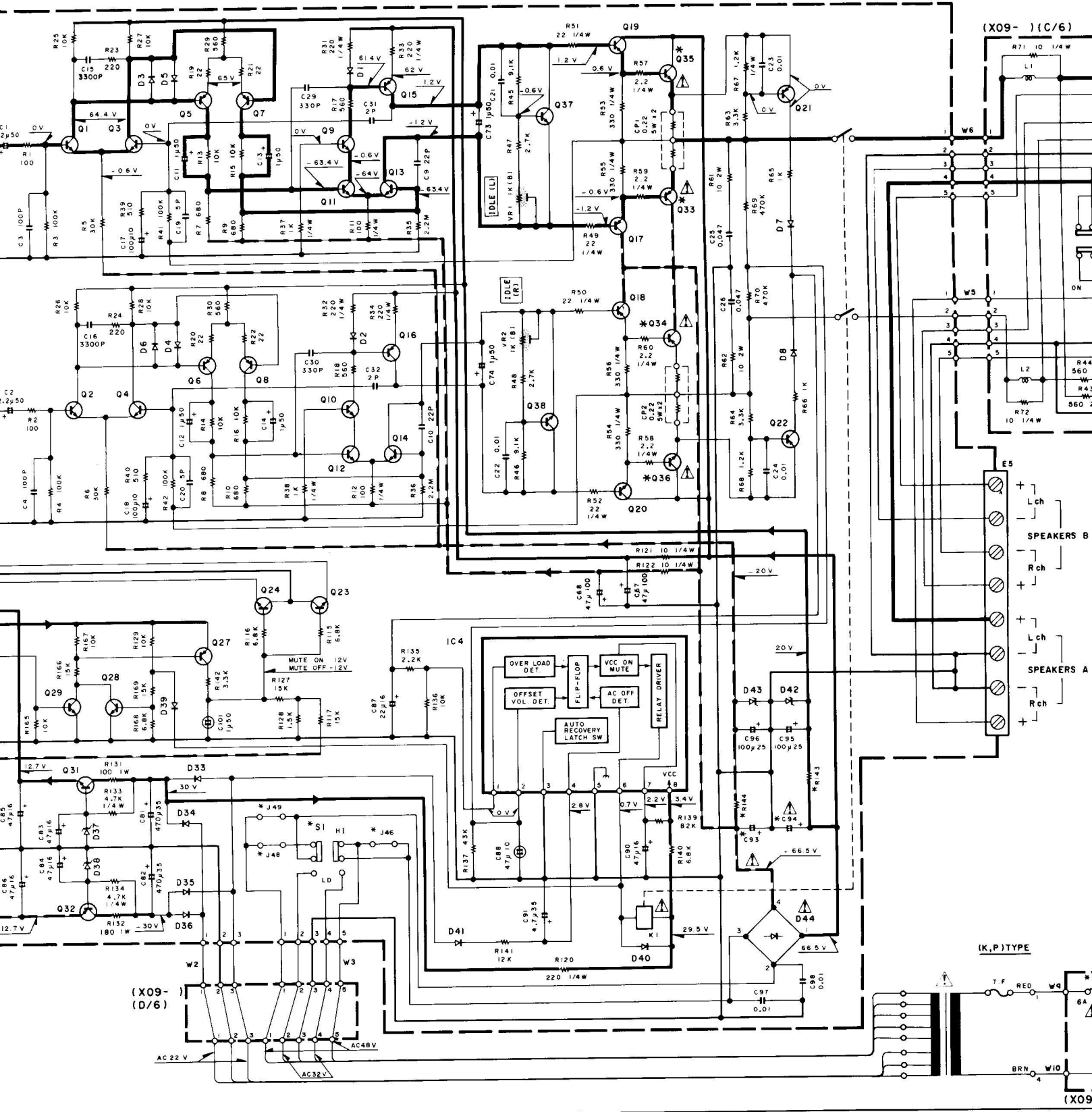
3

4

5

6

7



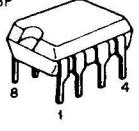
2SA1535
2SC3944



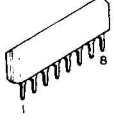
NJM4558D



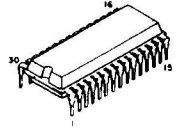
µPC4570C-A
M5218P

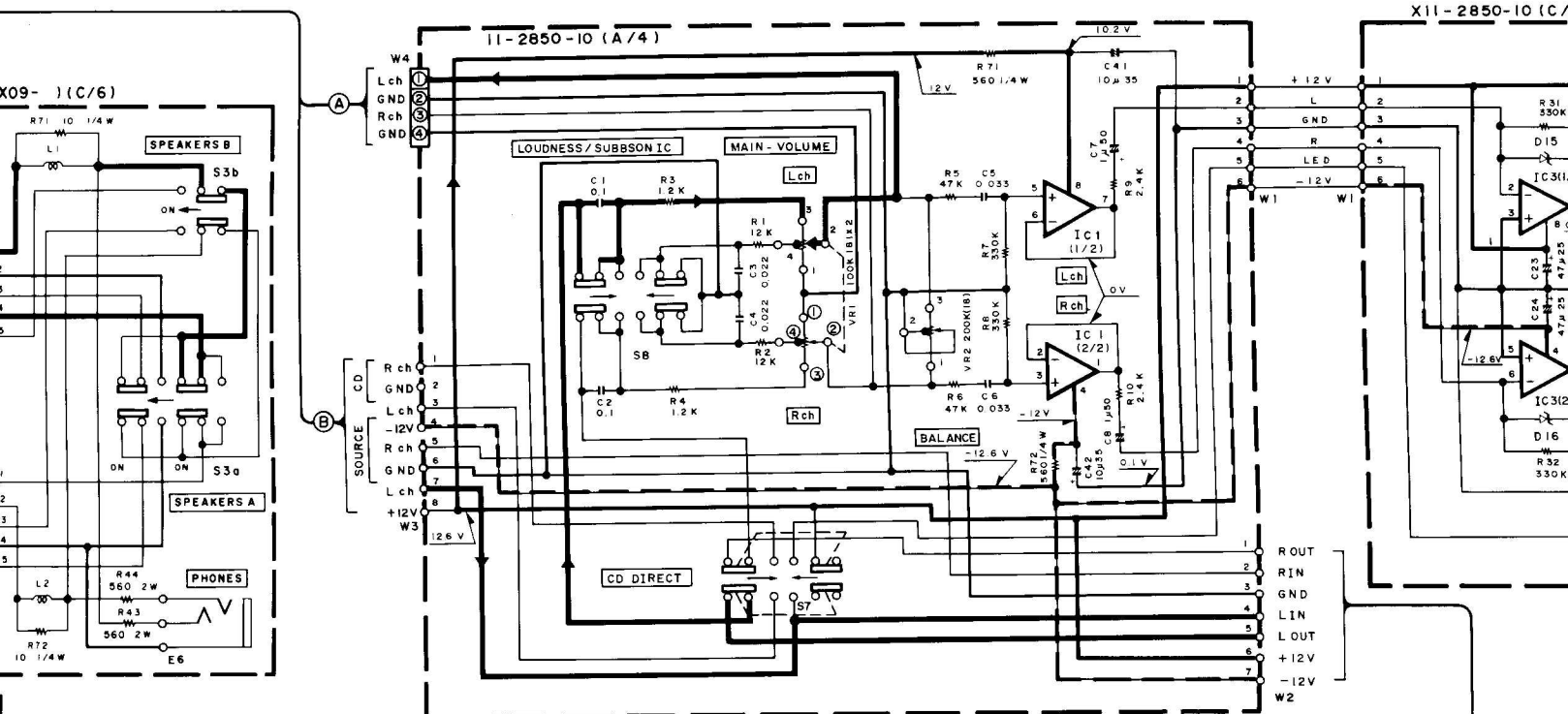


µPC1237HA



LC7818



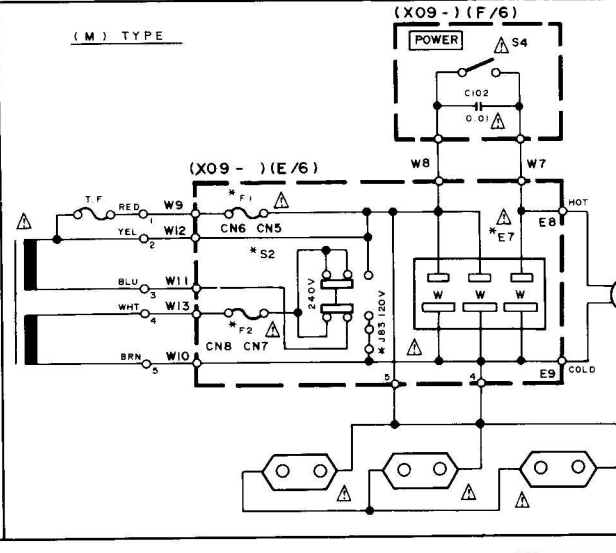
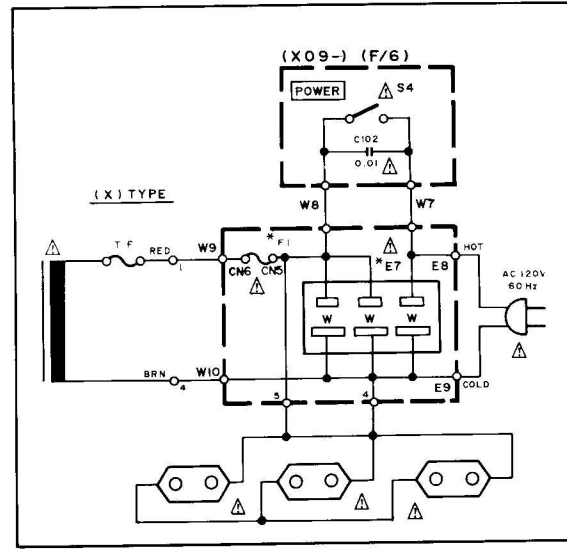
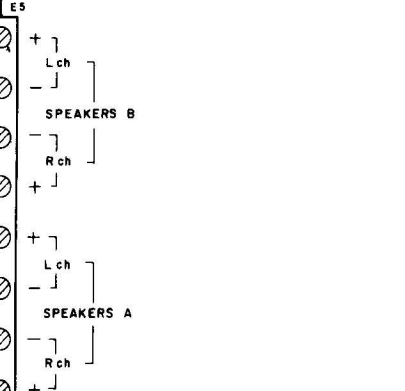


(X09-309X-XX)

- IC1 : LC7818
- IC2,3 : μ PC4570 C-A
- IC4 : μ PC1237 HA
- Q1~4 : 2SC1845 (F, E)
- Q5~8 : 2SA992 (F, E)
- Q9~14 : 2SC2632 (Q, R, S)
- Q15,16 : 2SA1124 (Q, R, S)
- Q17,18 : 2SA1535 (Q, R, S)
- Q19,20 : 2SC3944 (Q, R, S)
- Q21,22,27,30 : 2SA733(A)(Q,P) or 2SA933S(Q,R)
- Q23~26 : 2SC2878 (B)
- Q28,29 : 2SC945 (A)(Q,P) or 2SC1740S(Q,R)
- Q31 : 2SD882
- Q39 : DTA124EN
- * Q32 : 2SA954 (L, K)
- * Q33,34 : 2SC4137 (V, W)
- * Q35,36 : 1SS131 or HSS104A
- * Q37,38 : S5566 B or RD13ES (B2) or HZS13N (B2)
- D42,43 : RD20ES (B)
- D44 : HZS20N (B)
- D45 : RBV-602LFA or RD10ES (B) or HZS10N (B)

(X11-2850-10)

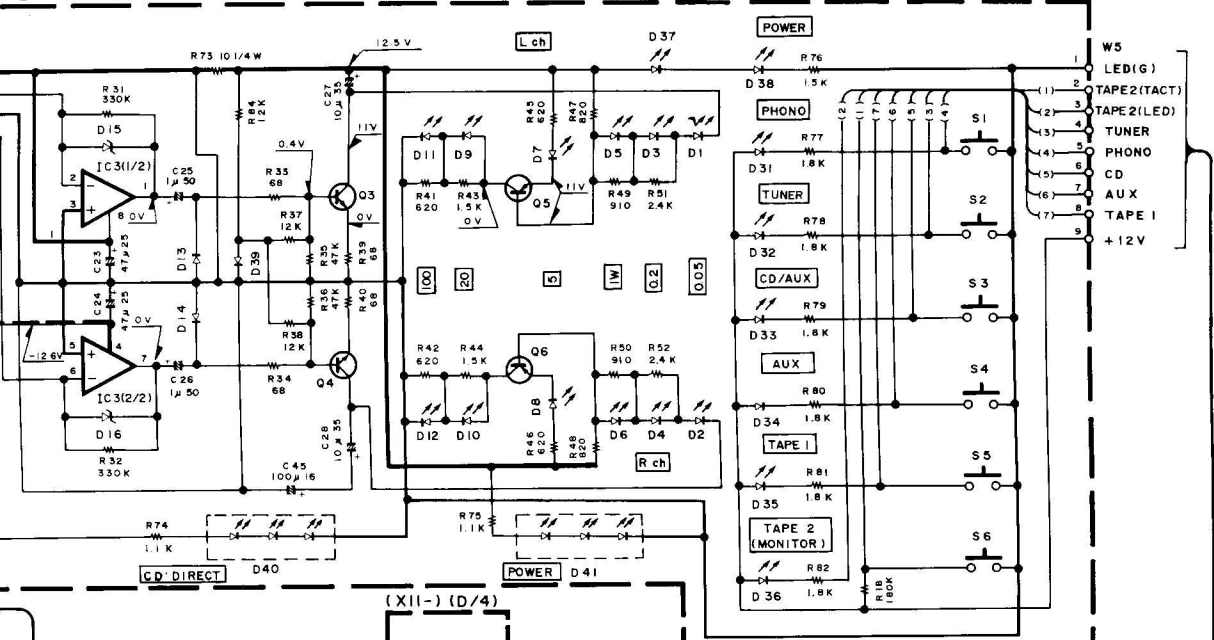
- IC1,3 : NJM45580 or M5218 P
- IC2 : μ PC4570 C-A
- Q1,2 : 2SC1845 (F, E)
- Q3,4 : 2SC945 (A)(Q, P) or 2SC1740S (Q, R) or 2SA733(A)(Q, P) or 2SA933(Q, R)
- Q5,6 : 2SC1845 (F, E)
- D1~12,37,38 : B30-1289-05
- D31~36 : B30-1291-05
- D13,14,39 : 1SS133 or HSS104
- D15,16 : RD2-7ES (B) or HZS2-7N (B)
- D40 : B30-1287-05
- D41 : B30-0486-05



DC voltages are as measured with a high impedance voltmeter. Values may vary slightly due to variations between individual instruments or/and units.

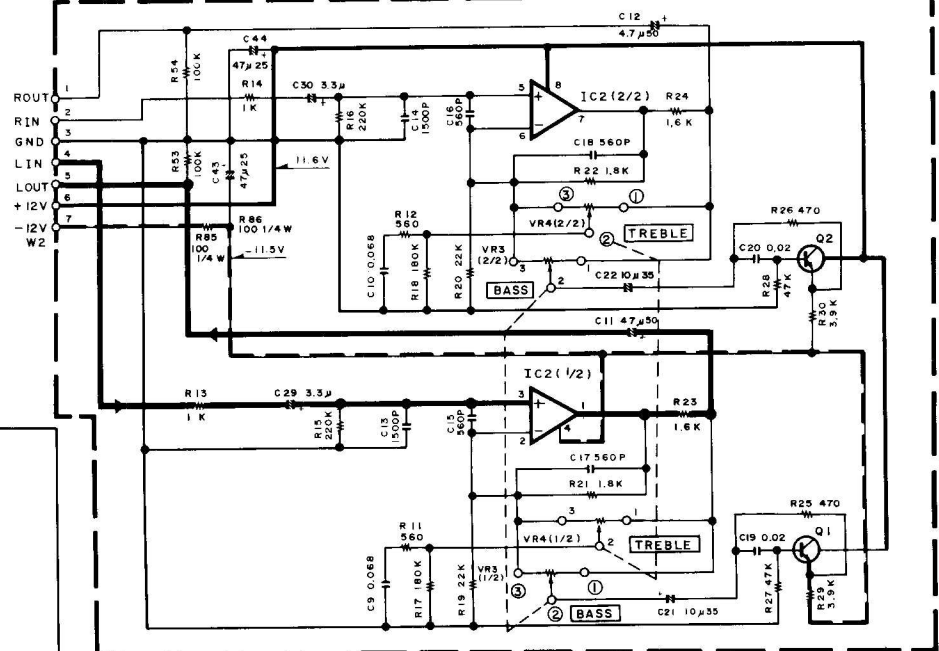
CAUTION: For continued safety, replace safety critical components only with manufacturer's recommended parts (refer to parts list). \triangle Indicates safety critical components. To reduce the risk of electric shock, leakage-current or resistance

measurements shall be taken with the unit properly insulated from the ground. The unit shall be returned to the customer.



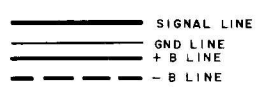
(X11-) (D/4)

X11-2850-10(B/4)



(X09-309 X-XX)

DESTINATION	Ref. NO	C93, 94	Q33, 34	Q35, 36	S1	S2	E7	F1	F2	J48	J46 J49	J83	CN7,B	W11-13	R143	R144
0-10 (K,P)	8200/71	25B 1163	25D 1718	NO	NO	YES	6A 125V	NO	NO	YES	NO	NO	NO	NO	3.3K2W	3.3K2W
0-21 (M)	8200/71	25B 1163	25D 1718	YES	YES	NO	3.15A 250V	YES	YES	NO	YES	YES	YES	YES	2.7K2W	3.3K2W
0-71 (X)	7500/71	25B 1162	25D 1717	YES	NO	NO	T3 15A 250V	NO	YES	NO	NO	NO	NO	NO	2.2K2W	2.7K2W



ements shall be carried out (exposed parts are accepta-
 lated from the supply circuit) before the appliance is
 d to the customer.

